

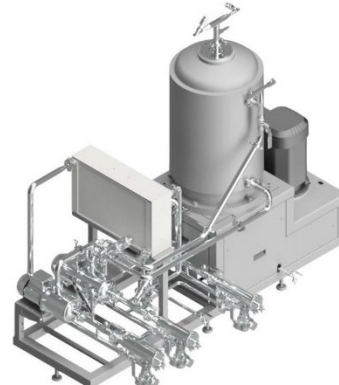


**FILTER TECHNOLOGY**

BY NOVOFLOW

# DATA SHEET

## NDCF 5



filtration system NDCF 5	
description	technical data
filter area (max.)	5 m <sup>2</sup>
filter discs Ø	312 mm   374 mm
pore sizes	5 nm - 1100 nm
number of filter discs	40   27
inlet connection	33,7 mm clamp DIN 32676 series B* (adapter possible)
filtrate connection	21,3 mm clamp DIN 32676 series B* (adapter possible)
overflow connection	33,7 mm clamp DIN 32676 series B* (adapter possible)
volume	ca. 60 l
operating pressure	0 - 6 bar *
pressure backwash	0 - 2,5 bar
temperature	5 - 60 °C **
pH range microfiltration / MF mod. ***	0 - 12 pH (max. 40 °C)   0 - 13 pH (max. 50 °C)
pH-range ultrafiltration / UF mod. ***	1 - 12 pH (max. 40 °C)   1 - 13 pH (max. 40 °C)
speed	100 - 450 U / min
connection voltage	400 V / 50 Hz 16 A
control air	6 bar dry and clean
power	7500 Watt
control system	Siemens S7
dimensions	2200 x 1200 x 2100 mm
weight	ca. 700 kg
media connection	tool-free connection thanks to clamp connection
pipeline	stainless steel media lines
valves	angle seat valve EPDM / stainless steel
housing	1.4301 stainless steel (other materials on request)
pump	powerful progressive cavity pump*
noise level	ca. 70 dB (A)

\* variants / special designs possible to a limited extent

\*\* recommended temperature range, depending on membrane type, operating time, pH value, etc.

\*\*\* recommended pH range, depending on membrane type, operating time, temperature, etc.

Information on membrane resistance is without guarantee. novoflow assumes no liability. novoflow reserves the right to make technical changes.



Nelkenweg 10, D-86641 Rain/Lech, Tel.: +49 9090 701150, info@novoflow.com, www.novoflow.com